



Helping to protect lives globally

Jo**Bird**®

BUILT BY **THE BEST** TO
WITHSTAND **THE WORST.**

Product **data sheet**

SOS7



Typical use:

Riversides, lakes, shore lines and Marinas

For the storage of 1 x 560-610mm lifebuoy and throwing line

Description:

This very popular lifebuoy housing has proved to be a very durable design. It's open front makes it easy to access the lifebuoy and line stored inside. The lifebuoy is located onto two internal hooks for ease of removal and the line holder is held ready for use in the centre of the lifebuoy.

The weather protection can be further enhanced by the fitting of a clip in front cover which is quickly removed in an emergency but is retained with a marine bungy cord. The round design makes it's purpose clear but also keeps the dimensions compact.

Standard specification:

Dimensions (mm)

Height x width x depth: 700 x 700 x 200

Height including poles 1930

Weight Kg: 7Kg

Material specification:

Colour: Orange

Material:

UV Stabilized rotationally moulded polyethylene

Optional Extras:

L560 Lifebuoy

LTL560 20M throwing line
in white PVC container

SOS7C Front cover



Manufactured in the UK





Helping to protect lives globally

Jo**Bird**[®]

BUILT BY **THE BEST** TO
WITHSTAND **THE WORST.**

Product **data sheet**

SOS7



SOS7 Fitted to GRP XL Post for mounting in fresh ground

Mounting options:

GRP posts

- 1 x GRP Post with or without GRP foot
- (1 x SOS400FL (with foot) 1540mm length or
- 1 x SOS400XL (without foot) 2000mm length)

Galvanised post:

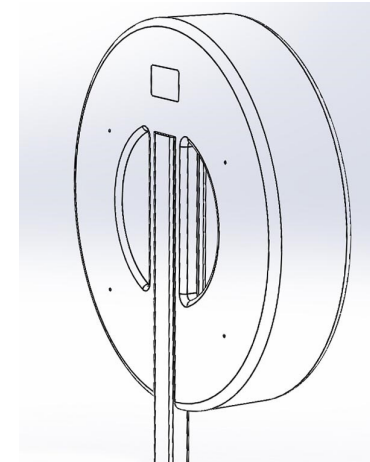
- 1 x galvanised steel post (as shown on left)
- (1 x SOS4/7 or
- (1 x SOS4/7 XL

Rail

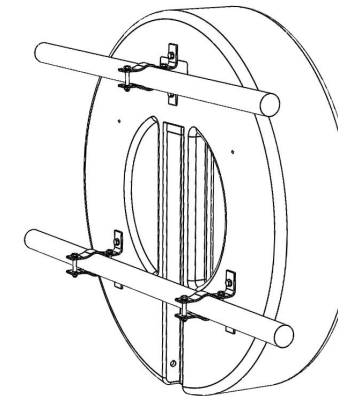
- 3 x 316 Stainless steel rail mounting brackets
- (1 x SOSBRACKET (kit of 3)

Wall

- No fixings supplied but cabinet



Detail of galvanised post mounting



Detail of rail mounting